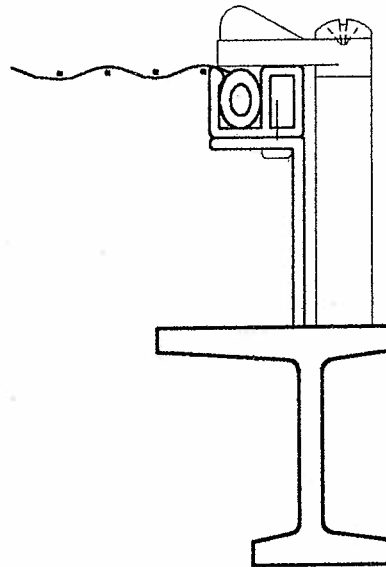
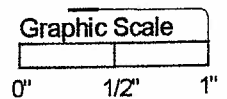


1 JAMB DETAIL
 SCALE: FULL
 HEAD and SILL SIMILAR



1 JAMB DETAIL with CLIP
 SCALE: FULL
 HEAD and SILL SIMILAR



PRODUCT
 BUILD-OUT SCREEN
 S-121 FRAMING

DWG. NO.
I-23

Allied Window
 Performance Panels™

11111 CANAL ROAD • CINCINNATI, OH 45241 • PH: 800-445-5411, 513-559-1212 • FAX: 513-559-1883 • www.alliedwindow.com • info@alliedwindow.com