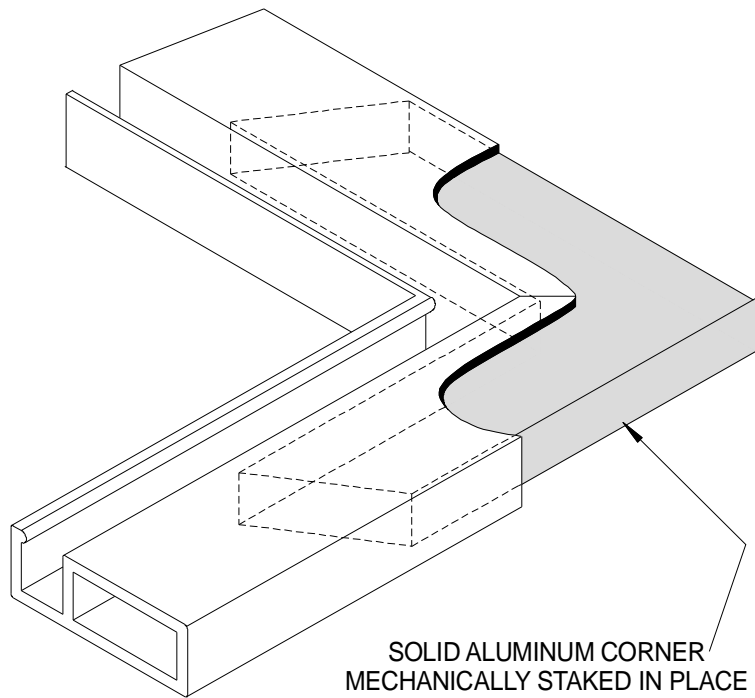
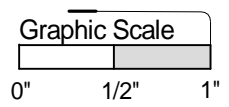


**1 JAMB DETAIL**  
SCALE: FULL  
HEAD and SILL SIMILAR



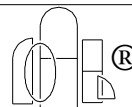
**CORNER DETAIL**



PRODUCT  
SCREEN PLAIN  
S-102 FRAMING

DWG. NO.

**I-1 Plain**



**Allied Window**  
Performance Panels®

11111 CANAL ROAD • CINCINNATI, OH 45241 • PH: 800-445-5411, 513-559-1212 • FAX: 513-559-1883 • www.alliedwindow.com • info@alliedwindow.com