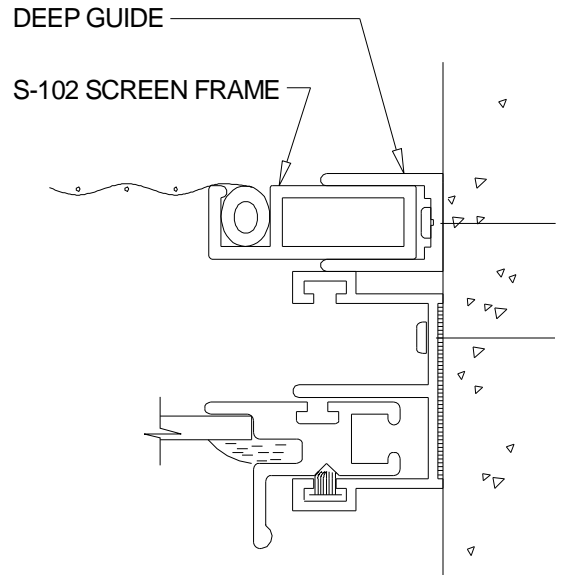
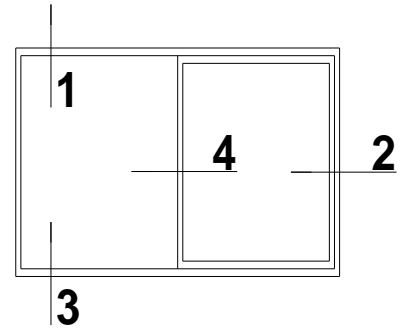
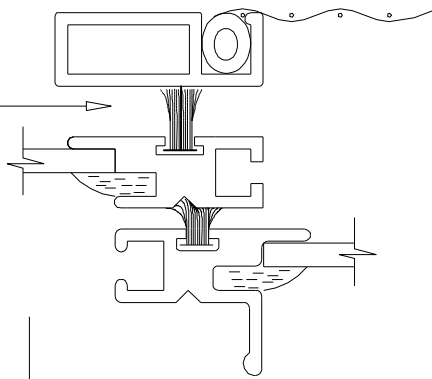


1 HEAD DETAIL
SCALE: FULL

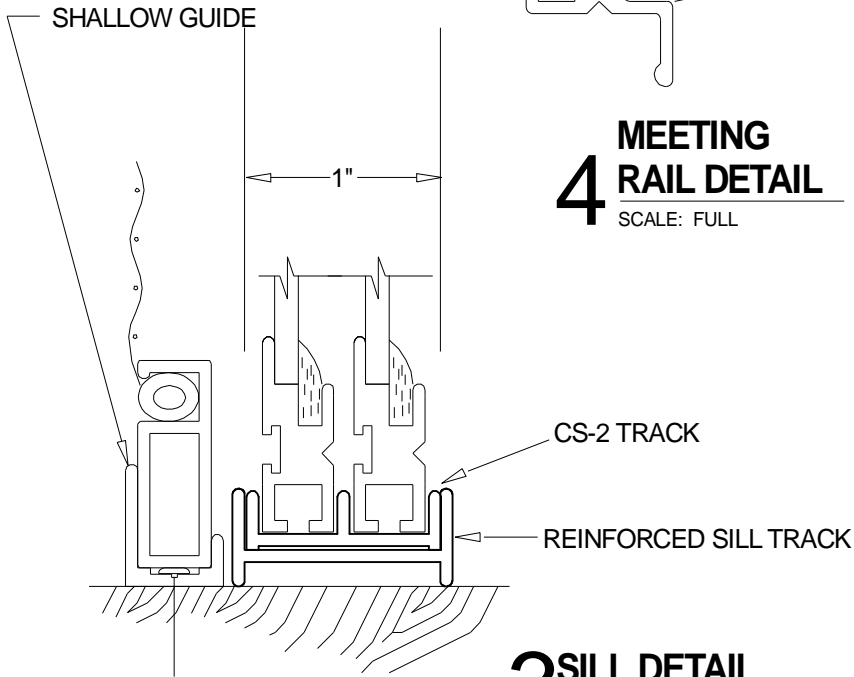


2 JAMB DETAIL
SCALE: FULL

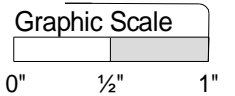
WOOL PILE
WEATHERSTRIPPING
WITH MYLAR "FIN SEAL"



**4 MEETING
RAIL DETAIL**
SCALE: FULL



3 SILL DETAIL
SCALE: FULL



PRODUCT
SLIDE - A - WAY, SAW-2, 1/2 SLIDING SCREEN
TWO PANELS, EITHER ACTIVE, REINFORCED SILL

DWG. NO.
S-7

Allied Window
Performance Panels®

11111 CANAL ROAD • CINCINNATI, OH 45241 • PH: 800-445-5411, 513-559-1212 • FAX: 513-559-1883 • www.alliedwindow.com • info@alliedwindow.com