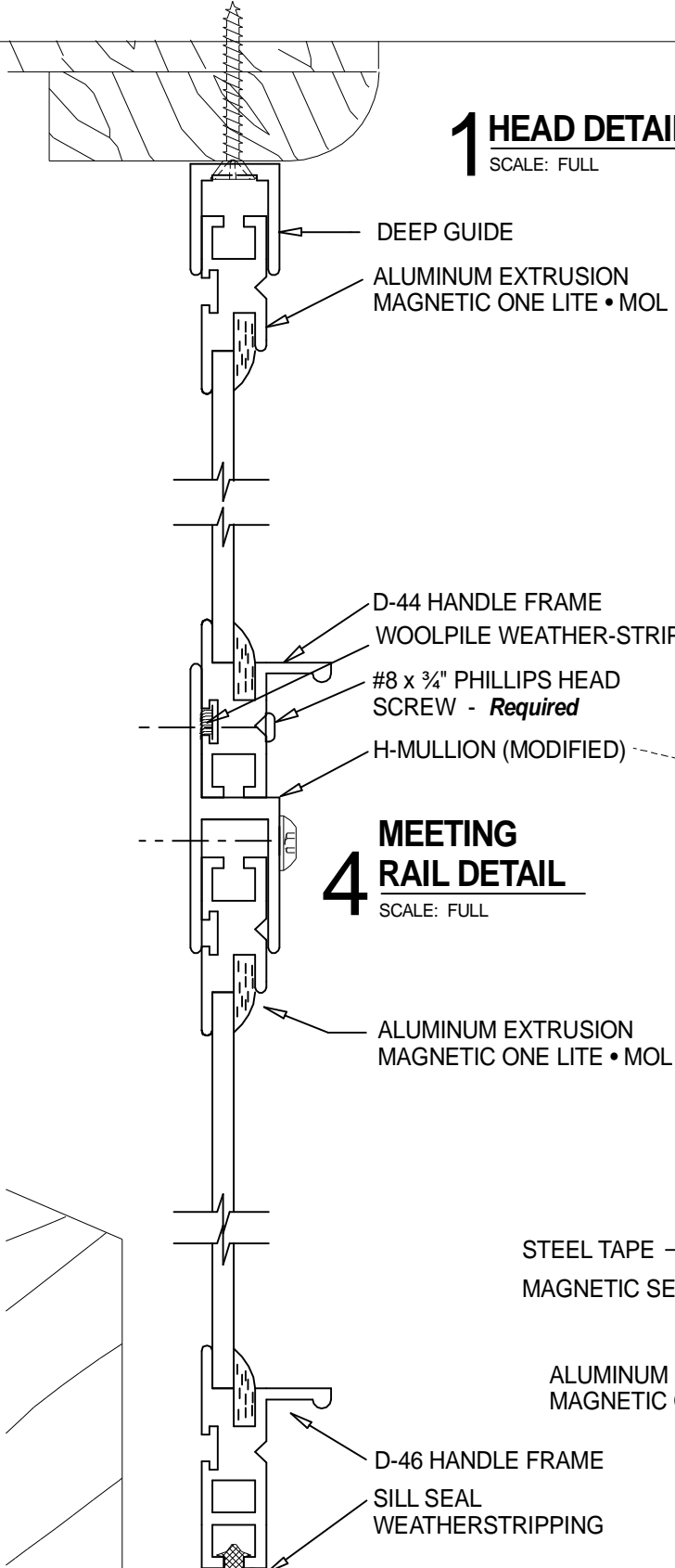
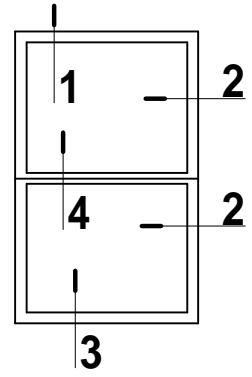


# 1 HEAD DETAIL

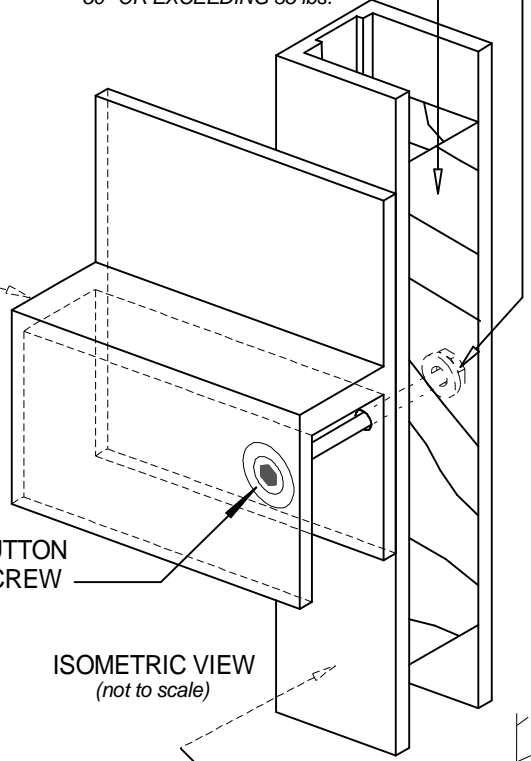
SCALE: FULL



DEEP GUIDE  
ALUMINUM EXTRUSION  
MAGNETIC ONE LITE • MOL



MACHINE BOLT AND LOCKNUT  
OPTIONAL SOLID BLOCKING  
REQUIRED IN PANELS OVER  
50" OR EXCEEDING 35 lbs.



D-44 HANDLE FRAME  
WOOLPILE WEATHER-STRIPPING  
#8 x 3/4" PHILLIPS HEAD  
SCREW - *Required*  
H-MULLION (MODIFIED)

# 4 MEETING RAIL DETAIL

SCALE: FULL

ALUMINUM EXTRUSION  
MAGNETIC ONE LITE • MOL

3/16 BUTTON  
CAP SCREW

ISOMETRIC VIEW  
(not to scale)

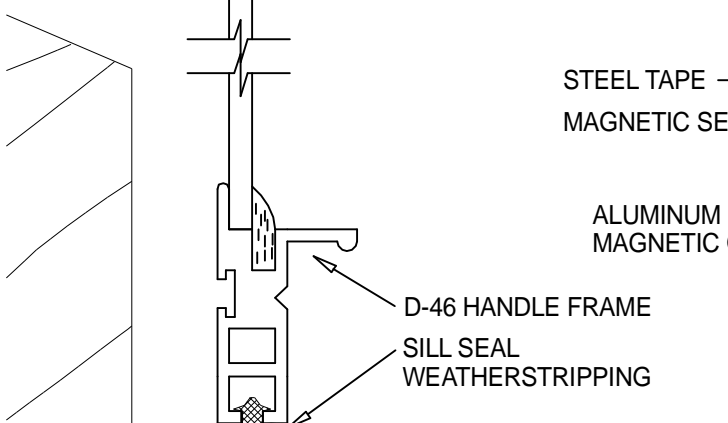
STEEL TAPE  
MAGNETIC SEAL TAPE

ALUMINUM EXTRUSION  
MAGNETIC ONE LITE • MOL

D-46 HANDLE FRAME  
SILL SEAL  
WEATHERSTRIPPING

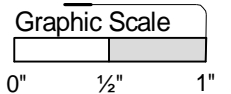
# 2 JAMB DETAIL

SCALE: FULL



# 3 SILL DETAIL

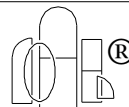
SCALE: FULL



PRODUCT  
MAGNETIC ONE LITE, STACKED • MOL-ST  
PERMANENT MULLION

DWG. NO.

# M-3



**Allied Window**  
Performance Panels®

11111 CANAL ROAD • CINCINNATI, OH 45241 • PH: 800-445-5411, 513-559-1212 • FAX: 513-559-1883 • www.alliedwindow.com • info@alliedwindow.com