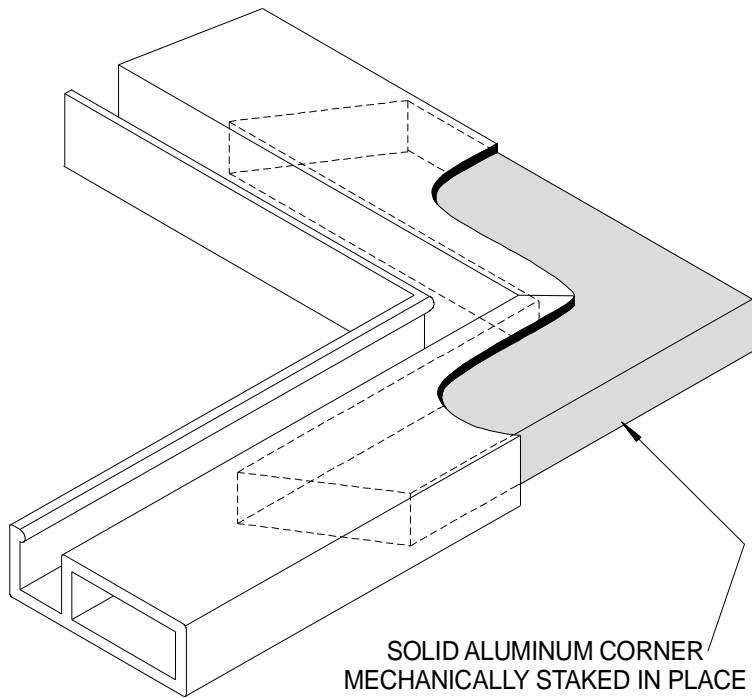
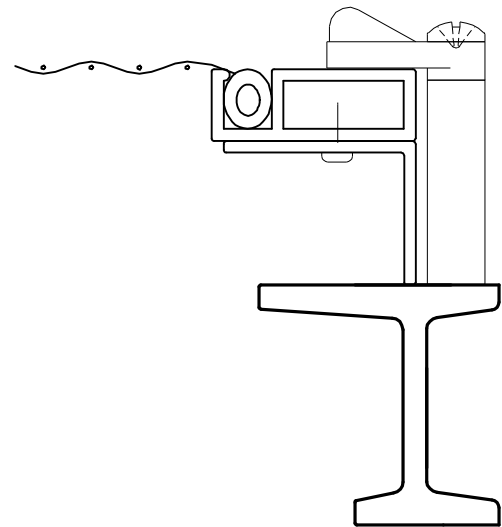


1 JAMB DETAIL
 SCALE: FULL
 HEAD and SILL SIMILAR

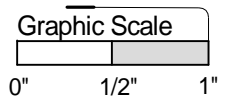


SOLID ALUMINUM CORNER
 MECHANICALLY STAKED IN PLACE

CORNER DETAIL

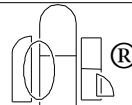


**1 JAMB DETAIL
 with CLIP**
 SCALE: FULL
 HEAD and SILL SIMILAR



PRODUCT
 BUILD-OUT SCREEN
 S-102 FRAMING

DWG. NO.
I-7



Allied Window
 Performance Panels®

11111 CANAL ROAD • CINCINNATI, OH 45241 • PH: 800-445-5411, 513-559-1212 • FAX: 513-559-1883 • www.alliedwindow.com • info@alliedwindow.com