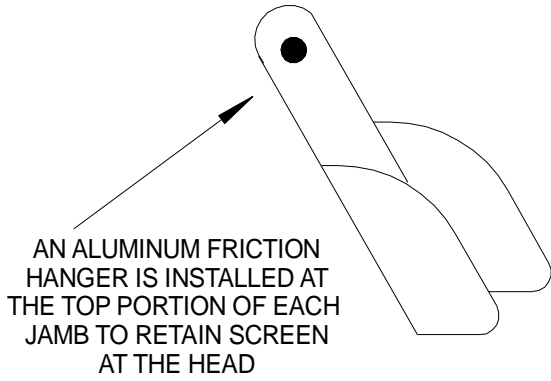
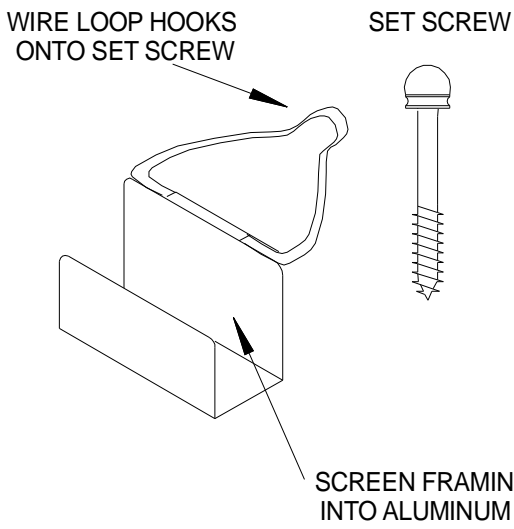


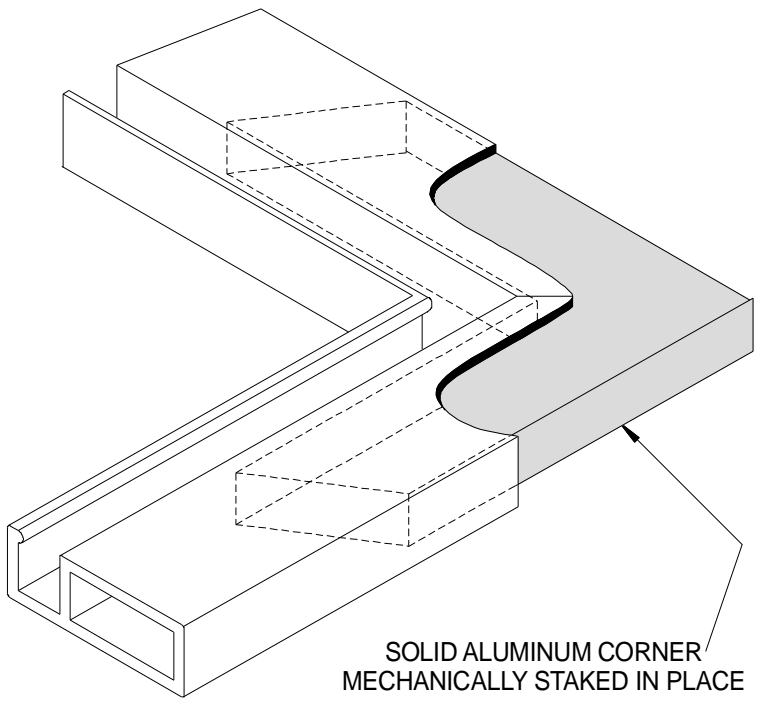
1 JAMB DETAIL
SCALE: FULL
HEAD and SILL SIMILAR



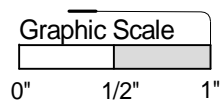
ALUMINUM FRICTION HANGER DETAIL



WIRE LOOP ASSEMBLY

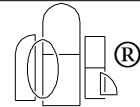


CORNER DETAIL



PRODUCT
FULL SCREEN with HOOK & LOOP
S-102 FRAMING

DWG. NO.
I-10



Allied Window
Performance Panels®

11111 CANAL ROAD • CINCINNATI, OH 45241 • PH: 800-445-5411, 513-559-1212 • FAX: 513-559-1883 • www.alliedwindow.com • info@alliedwindow.com