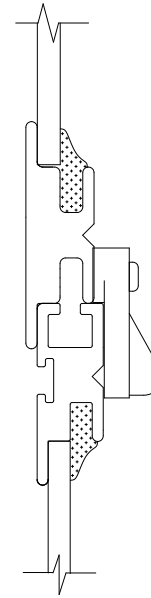
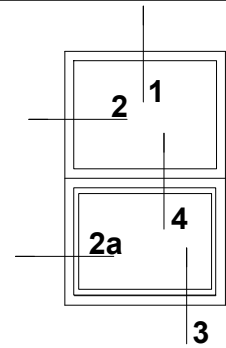


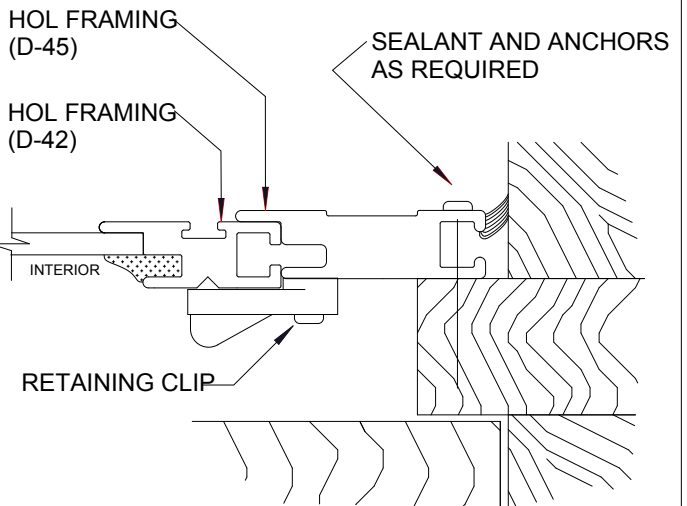
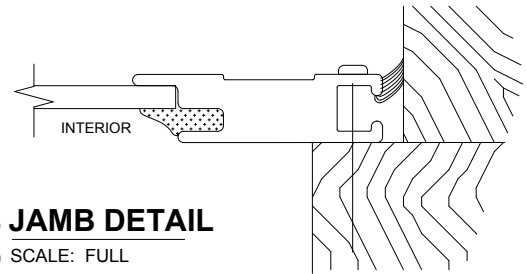
1 HEAD DETAIL
SCALE: FULL



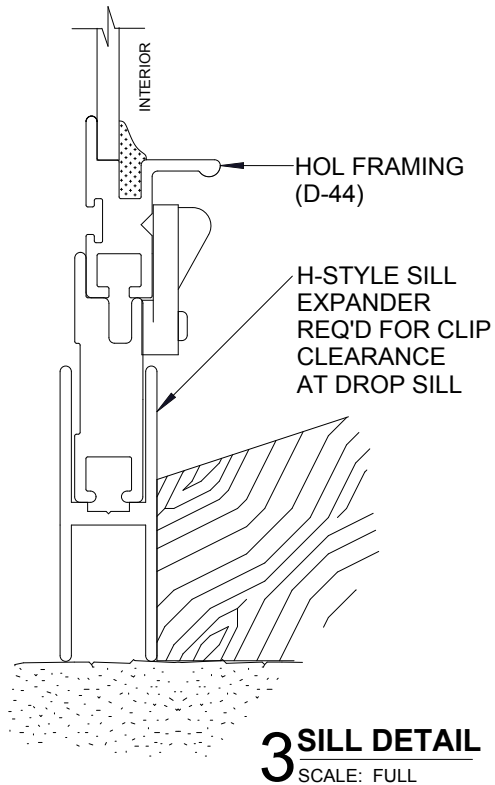
2 JAMB DETAIL
SCALE: FULL



4 MUNTIN DETAIL
SCALE: FULL



2a JAMB DETAIL
SCALE: FULL



3 SILL DETAIL
SCALE: FULL

HOL FRAMING (D-44)

H-STYLE SILL EXPANDER REQ'D FOR CLIP CLEARANCE AT DROP SILL

HOL FRAMING (D-45)

HOL FRAMING (D-42)

SEALANT AND ANCHORS AS REQUIRED

INTERIOR

RETAINING CLIP

Graphic Scale

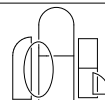
0" 1/2" 1"

NOTE: INTERCHANGEABLE SCREEN AVAILABLE

PRODUCT
HISTORIC ONE LITE • HOL-B
BOTTOM REMOVABLE PANEL

DWG. NO.

H-3



Allied Window
Performance Panels™

11111 CANAL ROAD • CINCINNATI, OH 45241 • PH: 800-445-5411, 513-559-1212 • FAX: 513-559-1883 • www.alliedwindow.com • info@alliedwindow.com