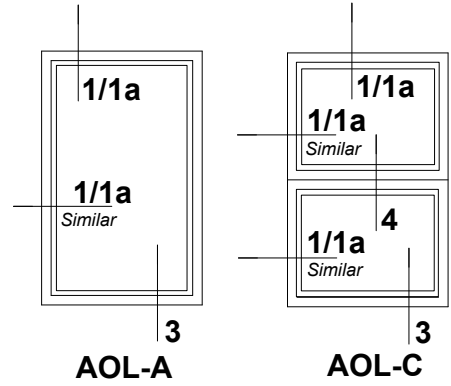
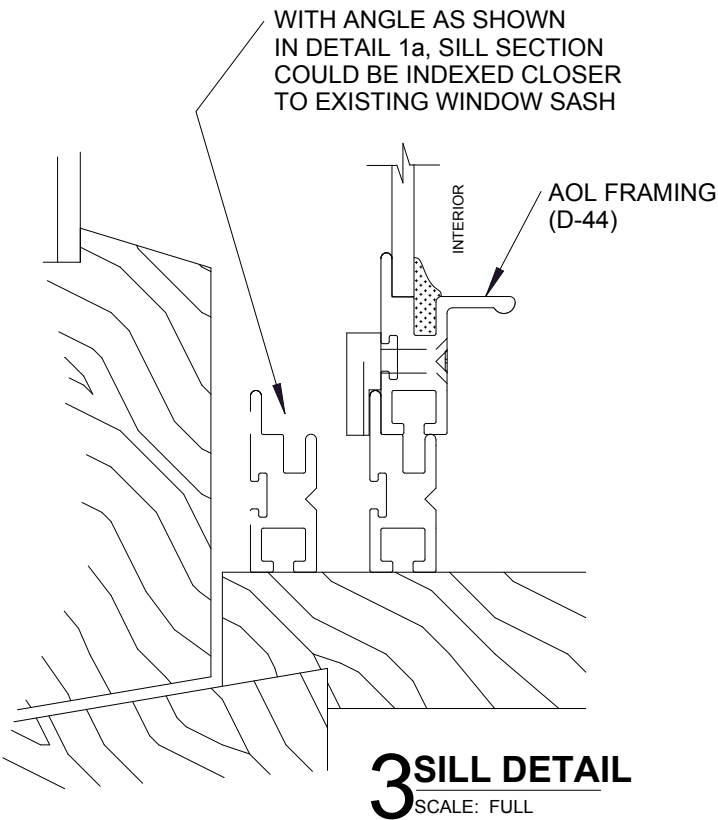


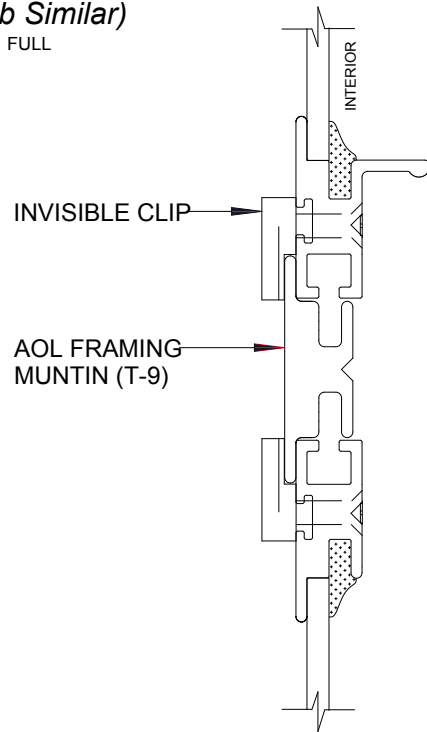
1 HEAD DETAIL
(Jamb Similar)
SCALE: FULL



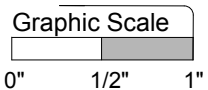
1a Alternate HEAD DETAIL
(Jamb Similar)
SCALE: FULL



3 SILL DETAIL
SCALE: FULL



4 MUNTIN DETAIL
SCALE: FULL

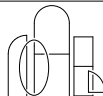


NOTE: INTERCHANGEABLE SCREEN AVAILABLE

PRODUCT
ALLIED ONE LITE • AOL • INTERIOR APPLICATION
REMOVABLE PANELS with INVISIBLE CLIPS

DWG. NO.

A-8



Allied Window Performance Panels™