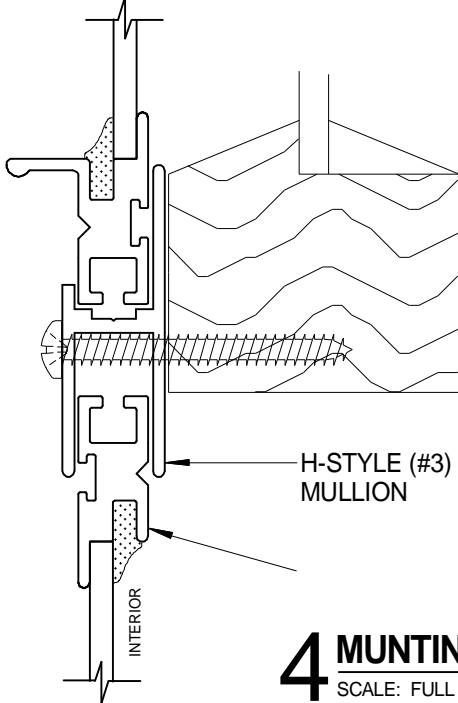
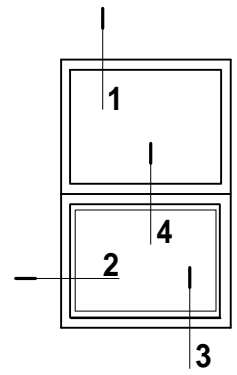


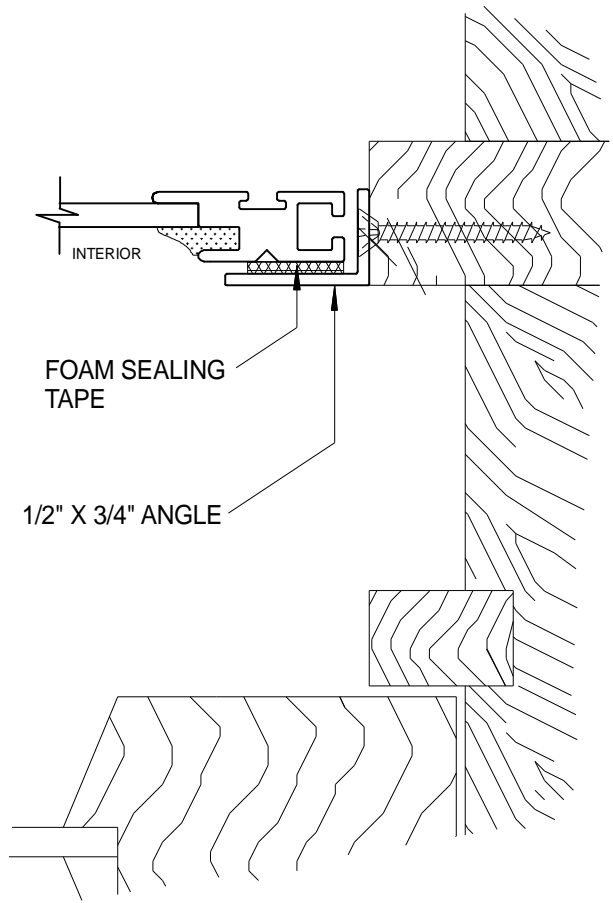
DEEP GUIDE HEAD
RECEPTOR CHANNEL

1 HEAD DETAIL
SCALE: FULL



H-STYLE (#3)
MULLION

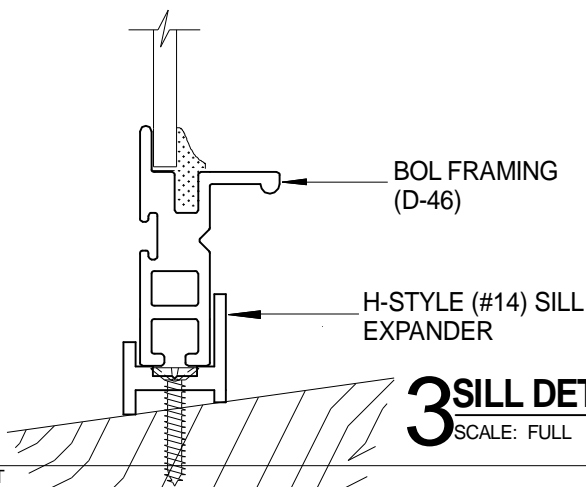
4 MUNTIN DETAIL
SCALE: FULL



FOAM SEALING
TAPE

1/2" X 3/4" ANGLE

2 JAMB DETAIL
SCALE: FULL

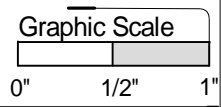


BOL FRAMING
(D-46)

H-STYLE (#14) SILL
EXPANDER

3 SILL DETAIL
SCALE: FULL

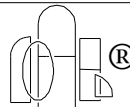
NOTE: INTERCHANGEABLE
SCREEN AVAILABLE



PRODUCT
BANK ONE LITE - EXTERIOR STACKED • BOL-ST
INSIDE REMOVABLE

DWG. NO.

B-3



Allied Window
Performance Panels®

11111 CANAL ROAD • CINCINNATI, OH 45241 • PH: 800-445-5411, 513-559-1212 • FAX: 513-559-1883 • www.alliedwindow.com • info@alliedwindow.com