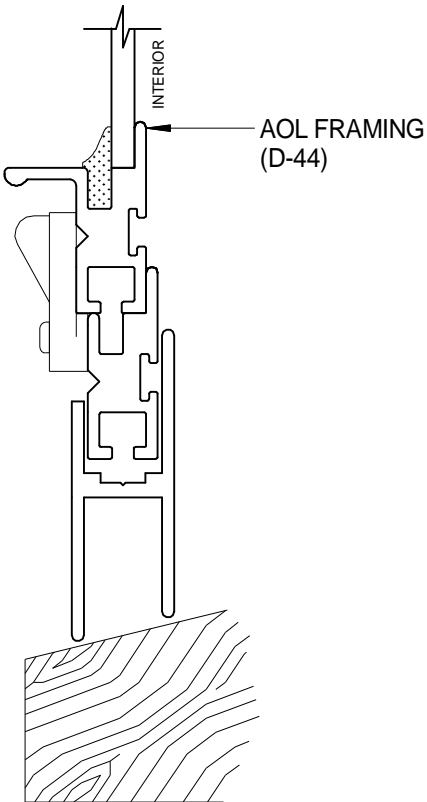


AOL FRAMING
(D-42 NESTED IN D-42)

INTERIOR

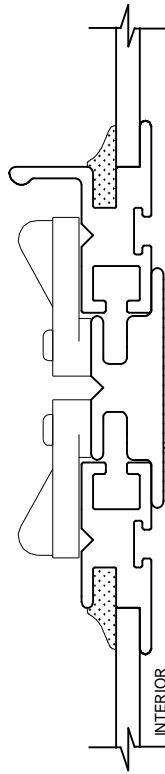
1 HEAD DETAIL
SCALE: FULL



AOL FRAMING
(D-44)

INTERIOR

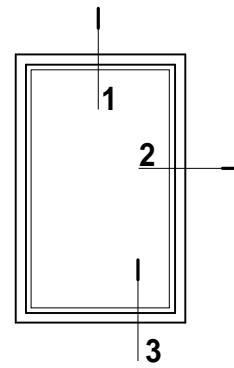
3 SILL DETAIL
SCALE: FULL



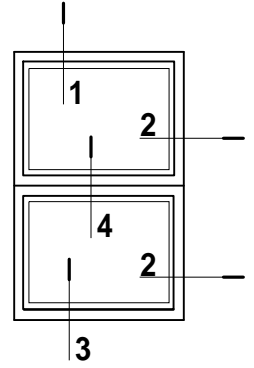
AOL FRAMING
(T-9)

INTERIOR

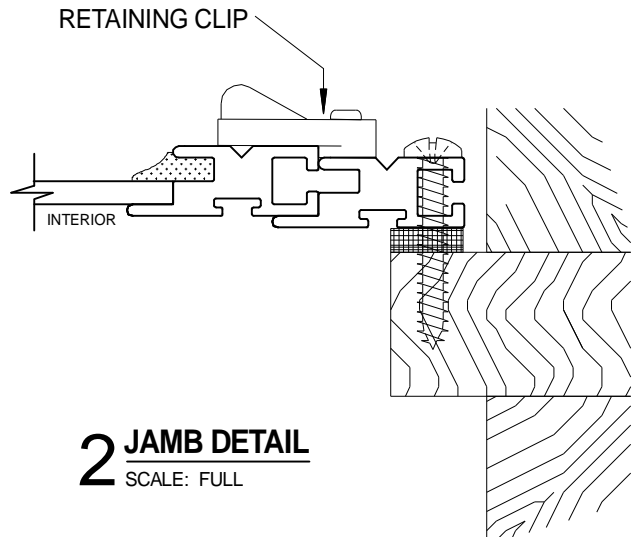
4 MUNTIN DETAIL
SCALE: FULL



AOL-A



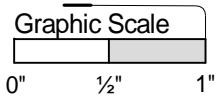
AOL-C



RETAINING CLIP

INTERIOR

2 JAMB DETAIL
SCALE: FULL

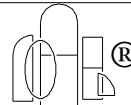


NOTE: INTERCHANGEABLE SCREEN AVAILABLE

PRODUCT
ALLIED ONE LITE • AOL-A and AOL-C
REMOVABLE PANELS W/EXPANDER

DWG. NO.

A-2



Allied Window
Performance Panels®

11111 CANAL ROAD • CINCINNATI, OH 45241 • PH: 800-445-5411, 513-559-1212 • FAX: 513-559-1883 • www.alliedwindow.com • info@alliedwindow.com